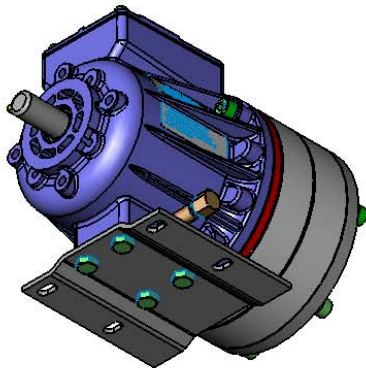
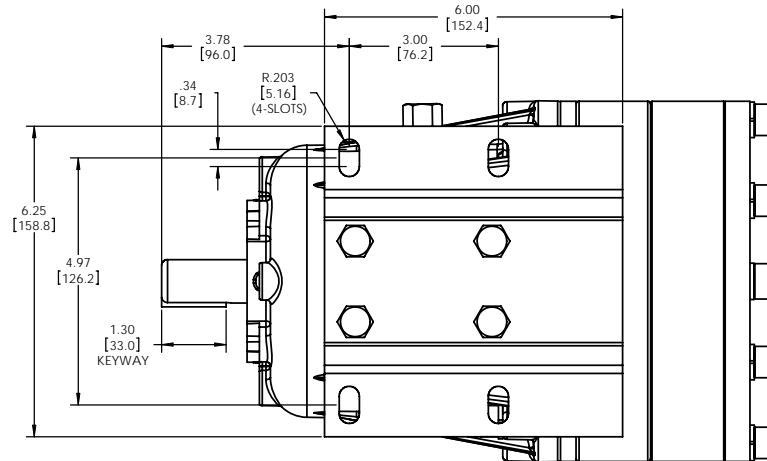
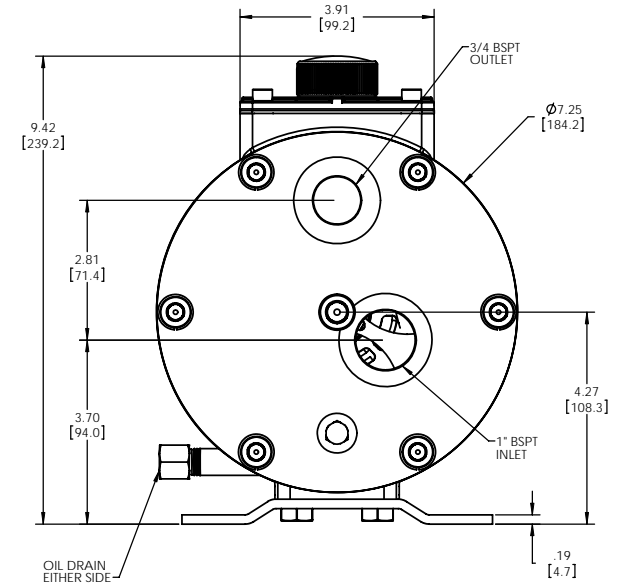
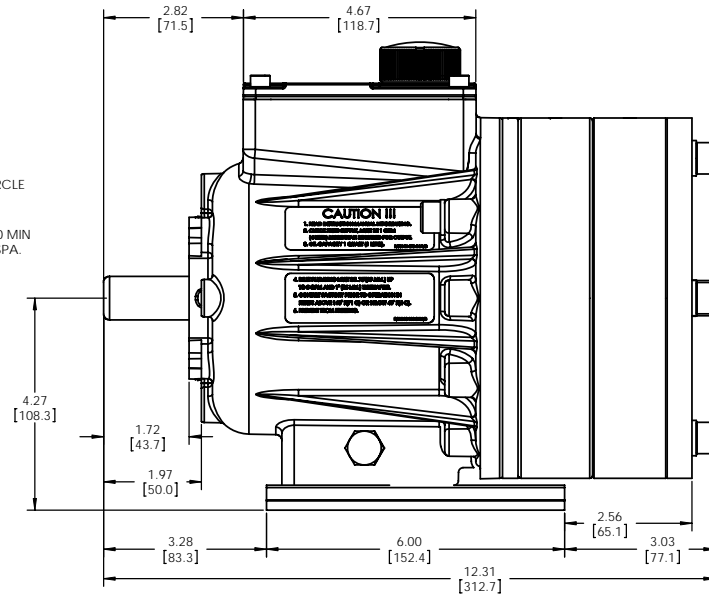
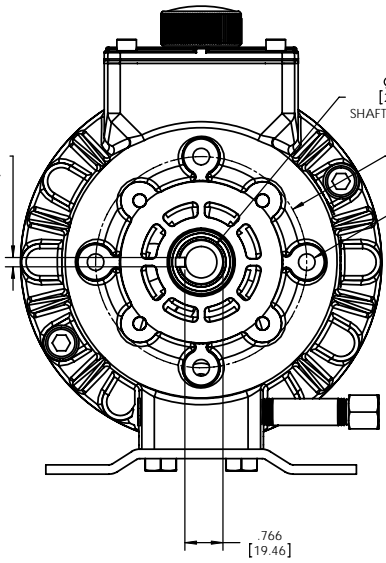
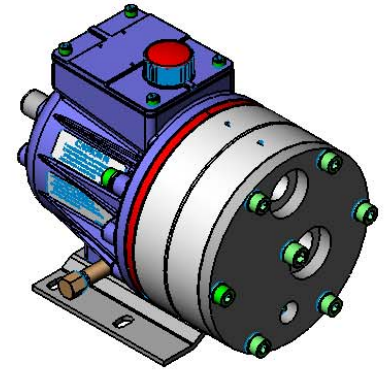


DWG NO
G10-000-1050-OD

.187
[4.74]
X 1.31 FULL
LENGTH KEYWAY



ISOMETRIC VIEW



ISOMETRIC VIEW

OUTLINE DRAWING
ALL DIMENSIONS ARE REFERENCE

PROPRIETARY STATEMENT
This document contains confidential and proprietary
information and is not to be reproduced or
information contained therein disclosed to others
without consent, in writing, from WANNER ENGINEERING INC.

DWN	4-10-08	GDI
CHK'D		
APP'D		
USED ON		
NEXT ASSY		
SHEET 1 OF 1		
SCALE: 1:1.25 FORM DBLK		

WANNER ENGINEERING INC

1204 CHESTNUT AVE. MPLS, MN 55403

TITLE

OUTLINE DRAWING, G10 NON-MET BSPT

DWG NO

G10-000-1050-OD

SIZE
D

REV.