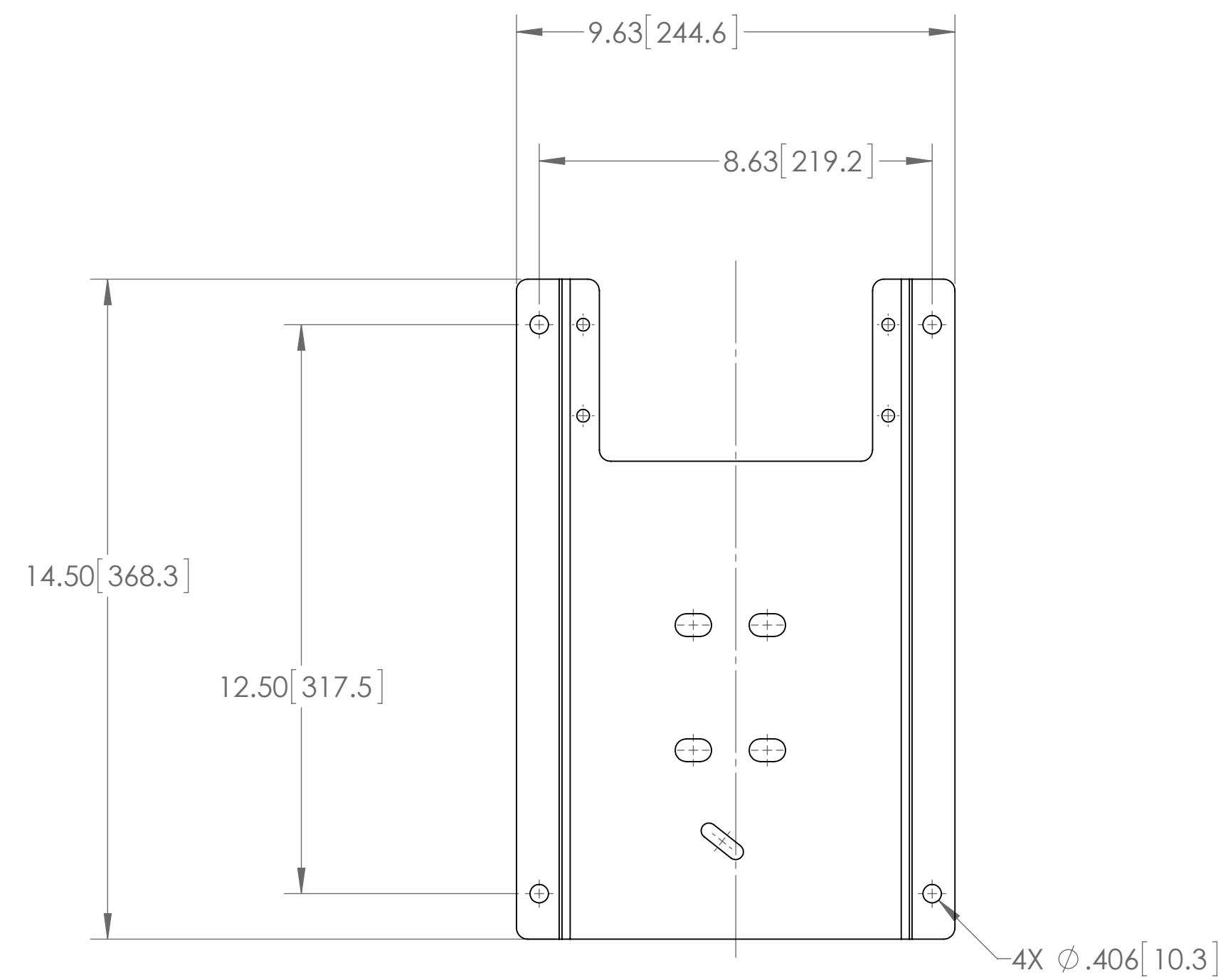
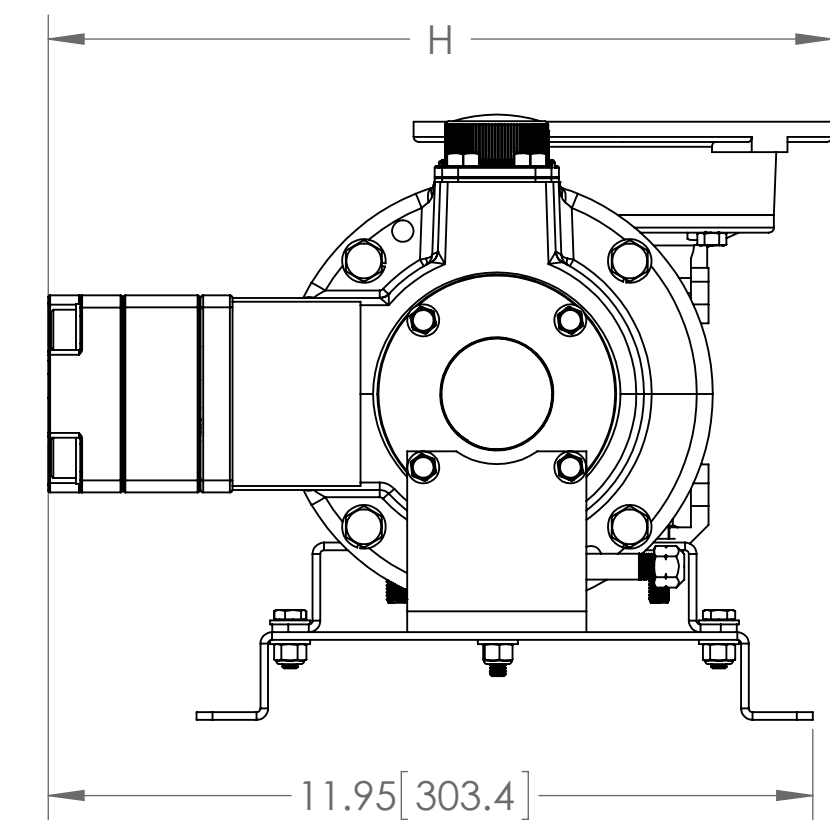
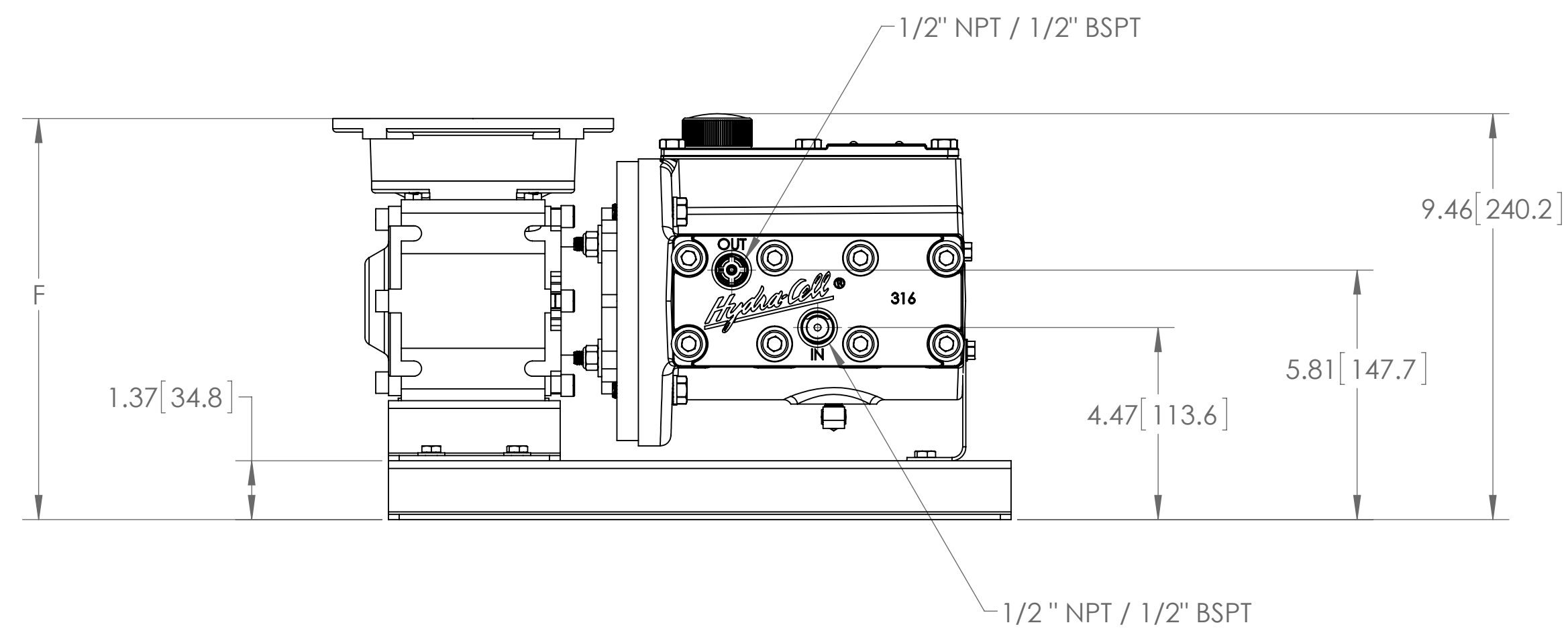
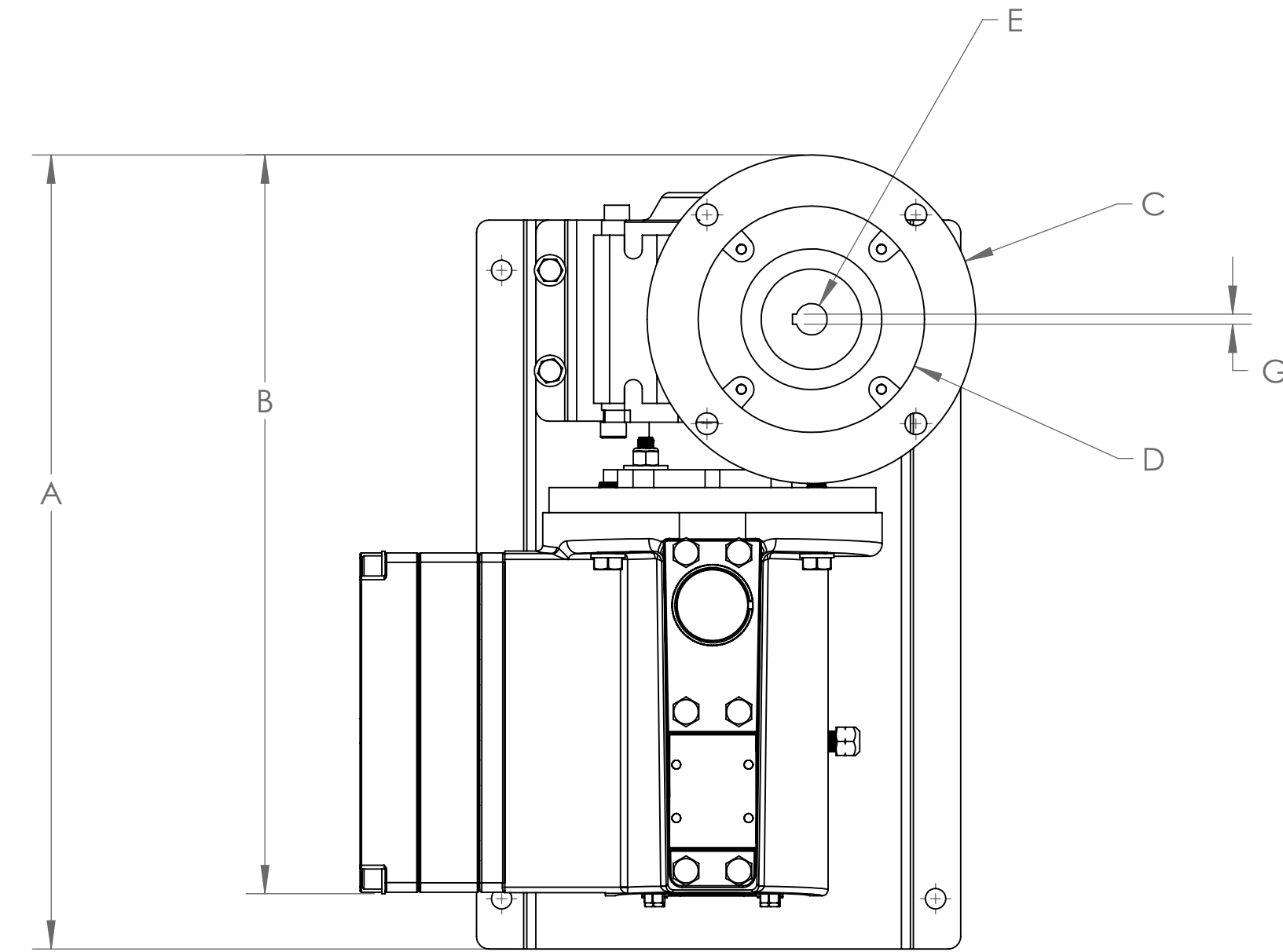


INPUT FRAME SIZE	DIMENSIONS: INCHES AND [MILLIMETERS]							
	A	B	C	D	E	F	G (SQUARE KEY)	H
NEMA 56C	15.79 [401.2]	14.70 [373.3]	∅ 6.54 [∅ 166]	∅ 4.50 [∅ 114.3]	∅ .62 [∅ 15.7]	9.35 [237.4]	.187 [4.75]	12.25 [311]
NEMA 143/145 TC	15.79 [401.2]	14.70 [373.3]	∅ 6.54 [∅ 166]	∅ 4.50 [∅ 114.3]	∅ .87 [∅ 22.2]	9.82 [249.4]	.187 [4.75]	12.25 [311]
IEC 63 B5	15.28 [388.1]	14.19 [360.4]	∅ 5.51 [∅ 140]	∅ 3.74 [∅ 95]	∅ .43 [∅ 11]	9.17 [232.9]	.157 [4]	11.73 [298.1]
IEC 71 B5	15.67 [398]	14.58 [370.3]	∅ 6.30 [∅ 160]	∅ 4.33 [∅ 110]	∅ .55 [∅ 14]	9.17 [232.9]	.196 [5]	12.13 [308.1]
IEC 80 B5	16.46 [418.1]	15.37 [390.4]	∅ 7.87 [∅ 200]	∅ 5.12 [∅ 130]	∅ .75 [∅ 19]	9.17 [232.9]	.236 [6]	12.91 [327.9]



BASE PLATE 112-01X



OUTLINE DRAWING
ALL DIMENSIONS ARE REFERENCE

PROPRIETARY STATEMENT
This document contains confidential and proprietary information and is not to be reproduced or the information contained therein disclosed to others without consent, in writing, from WANNER ENGINEERING INC.

DWN	04/07/2014	MSB
CHK'D		
APP'D		
USED ON		
NEXT ASSY		
	SHEET 1 OF 1	
SCALE: 1:3		FORM DBLK

WANNER ENGINEERING INC
1204 CHESTNUT AVE. MPLS, MN 55403

TITLE P300 W/NORD 50 REDUCER AND INPUT FLANGE

DWG NO

P300 PUMP SERIES

SIZE
D

REV.